

# AI Road Traffic Pro Bullet Plus Camera

AF Lens



DATASHEET



## KEY FEATURES

- ▶ Superior Image Quality (Starlight Sensor, Smart IR II Technology, 4K Video Viewing Experience and high frame rate are supported for an excellent image quality.)
- ▶ Evidence Camera Linkage (Link with any regular cameras to capture the overview snapshots as evidence.)
- ▶ LPR Smart Search (Relevant videos can be found quickly by searching for only a portion of the target suspect vehicle's features, such as vehicle type & color, plate color, plate number, direction and etc.)
- ▶ Traffic Flow Statistics (The vehicle counting result based on vehicle type, vehicle make and various vehicle features can be shown intuitively in camera's live view and the camera can also generate useful report insights to aid in improved decision-making.)

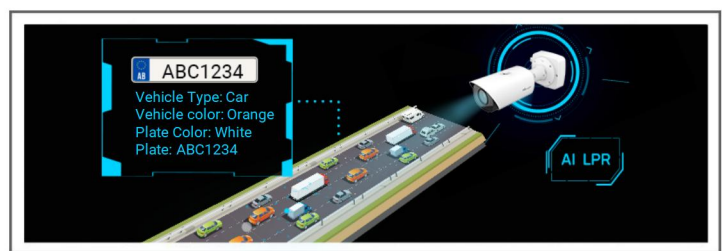
## Traffic Violation Detection

AI-based road traffic cameras accurately detect and alert violation events such as No-plate Vehicle Detection, Specific Lane Detection, Reverse Driving Detection, Black/White List Detection and Vehicle Event Detection based on recognized vehicle features.



## Intelligent AI-powered LPR Algorithm

The AI Road Traffic Pro Bullet Plus Camera can not only recognize vehicle plates in real time, but also identify more vehicle features, like vehicle type, color, etc., generating reliable traffic insights to improve safety and mobility.



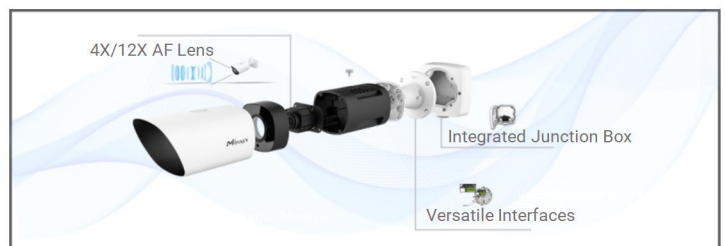
## Traffic Flow Statistics

Traffic flow statistics greatly enhance traffic management capabilities. The vehicle counting result based on vehicle type, vehicle make and various vehicle features can be shown intuitively in camera's live view and the camera can also generate useful report insights to aid in improved decision-making.



## Easy Deployment and Compact Structure

To enhance visual clarity, the AI Road Traffic Pro Bullet Plus Camera features 4X/12X autofocus lens with corresponding algorithms. And the well-designed integrated junction box and versatile interfaces ensure installation efficiency.



# AI Road Traffic Pro Bullet Plus Camera



	Name	TS4466-X4RPE (4MP)	TS2966-X12TPE (2MP)	TS5366-X12PE (5MP)	
<b>Camera</b>	Image Sensor	1/1.8" Progressive Scan CMOS		1/2.8" Progressive Scan CMOS	
	Min. Illumination	Color: 0.005Lux@F1.6 B/W: 0Lux with IR on		Color: 0.008Lux@F1.6 B/W: 0Lux with IR on	
	WDR	120dB Super WDR			
	Shutter Time	1/100000s~1s			
	Day/Night Mode	Day/Night/Auto/Customize/Schedule			
	S/N	>55dB			
<b>Lens</b>	Lens	8~32mm, 4X Optical Zoom		5.3~64mm, 12X Optical Zoom	
	Field of View	H44°~H13°/D51°~D15°/V25°~V7°		H61°~H5°/D69°~D5°/V36°~V2° H57°~H4°/D69°~D5°/V44°~V1°	
	Mount	Φ14			
	Focus Control	Auto/Manual			
	Aperture	F1.6~F1.7		F1.6~F2.8	
	Iris Control	Auto			
<b>Road Traffic Management</b>	Max. Vehicle Speed	200km/h			
	Recognition Accuracy	>95%			
	Coverage	Support simultaneous detection of 4 lanes, with optimal performance recommended for 2 lanes			
	Country Region Supported	More than 80 countries and regions			
	Illumination Distance	Up to 70m during the day; Up to 35m during the night with illumination			
	Attributes Identification	Plate Color, Vehicle Type, Vehicle Color, Vehicle Brand, No-plate Vehicle Capture, Vehicle Direction Detection			
	Smart Traffic Function	Evidence Camera Linkage, Specific Lane Management			
	White/Black List	Up to 20000 records inside the camera			
	LPR Smart Search	Support			
<b>Interface</b>	Ethernet	1*RJ45 10M/100M Ethernet Port			
	Audio I/O	1/1			
	Alarm I/O	1/1 (Integrated Cable Version) 2/2 (Cable Out Version)			
<b>Video</b>	Max. Image Resolution	2688x1520		1920x1080	2592x1944
	Primary Stream	60Hz: 60fps@(2688x1520, 2304x1296, 1920x1080, 1280x720) 50Hz: 50fps@(2688x1520, 2304x1296, 1920x1080, 1280x720)		60Hz/50Hz: 90fps@(1920x1080, 1280x960, 1280x720, 704x576)	60Hz: 30fps@(2592x1944, 2592x1520, 2048x1536, 1920x1080, 1280x960, 1280x720, 704x576) 50Hz: 25fps@(2592x1944, 2592x1520, 2048x1536, 1920x1080, 1280x960, 1280x720, 704x576)
	Secondary Stream	60Hz: 60fps@(704x576, 640x480, 640x360, 352x288, 320x240) 50Hz: 50fps@(704x576, 640x480, 640x360, 352x288, 320x240)			60Hz: 30fps@(704x576, 640x480, 640x360, 352x288, 320x240) 50Hz: 25fps@(704x576, 640x480, 640x360, 352x288, 320x240)

# AI Road Traffic Pro Bullet Plus Camera



<b>Video</b>	Tertiary Stream	60Hz: 30fps@(1280x720, 704x576, 640x480, 640x360, 320x240) 50Hz: 25fps@(1280x720, 704x576, 640x480, 640x360, 320x240)	60Hz: 30fps@(1920x1080, 1280x720, 704x576, 640x480, 640x360, 320x240) 50Hz: 25fps@(1920x1080, 1280x720, 704x576, 640x480, 640x360, 320x240)	
	Video Compression	H.265+/H.265(HEVC)/H.264+/H.264/MJPEG		
	Video Bit Rate	16Kbps~16Mbps(CBR/VBR Adjustable)		
	Privacy Masking	Up to 8 Areas (Mask Area and Mosaic Area are optional)		
	ROI	Up to 8 areas		
	Image Setting	Brightness/Contrast/Saturation/Sharpness		
<b>Network</b>	Network Storage	NAS(Support NFS, SMB/CIFS), ANR		
	Protocol	IPv4/IPv6, ARP, TCP, UDP, RTCP, RTP, RTSP, RTMP, HTTP, HTTPS, DNS, DDNS, DHCP, FTP, NTP, SMTP, SNMP, UPnP, Bonjour, SIP, PPPoE, VLAN, 802.1x, QoS, IGMP, ICMP, SSL		
<b>Audio</b>	Audio Compression	G.711/AAC/G.722/G.726		
	Audio Sampling Rate	8/16/32/44.1/48KHz		
	Audio Bit Rate	16~256kbps		
	Two-way Audio	Support		
<b>System</b>	System Compatibility	API, HTTP, TCP, ONVIF Profile G & S & T		
	Storage	Support microSD/SDHC/SDXC Card Local Storage, up to 1TB		
	Advanced Function	BLC, HLC, 2D DNR, 3D DNR, Defog, AWB, IP Address Filtering, AGC, Anti-flicker, Corridor Mode, Deblur, Watermark		
	SIP/VoIP Support	Yes, Voice & Video-over-IP		
	Event Trigger	Black/White List, Attributes Event, Motion Detection, Network Disconnection, External Input, Audio Alarm, etc.		
	Event Action	FTP Upload, SMTP Upload, SD Card Record, External Output, SIP Phone, HTTP Notification, etc		
<b>General</b>	Working Temperature	-40°C~60°C		
	Working Humidity	5~90%(Non-condensing)		
	Power Supply	PoE (802.3at) / DC 12V±10%		
	Power Consumption	8W MAX 13W MAX (With IR on)	8W MAX 14W MAX (With IR on)	8W MAX 13W MAX (With IR on)
	Weather Proof	Up to IP67-rated for Weather-resistant Performance		
	Housing	Vandal-proof IK10-rated Metal Housing		
	Surge Protection	4KV		
	Weight	1623g		
	Dimensions	320mmX134mmX171mm		
	Warranty	3/5 Years		

# AI Road Traffic Pro Bullet Plus Camera



	Name	TS8266-X4PE (4K)
<b>Camera</b>	Image Sensor	1/1.8" Progressive Scan CMOS
	Min. Illumination	Color: 0.009Lux@F1.6 B/W: 0Lux with IR on
	WDR	120dB Super WDR
	Shutter Time	1/100000s~1s
	Day/Night Mode	Day/Night/Auto/Customize/Schedule
	S/N	>55dB
<b>Lens</b>	Lens	8~32mm, 4X Optical Zoom
	Field of View	H44°~H13°/D51°~D15°/V25°~V7°
	Mount	Φ14
	Focus Control	Auto/Manual
	Aperture	F1.6~F1.7
	Iris Control	Auto
<b>Road Traffic Management</b>	Max. Vehicle Speed	200km/h
	Recognition Accuracy	>95%
	Coverage	Support simultaneous detection of 4 lanes, with optimal performance recommended for 2 lanes
	Country Region Supported	More than 80 countries and regions
	Illumination Distance	Up to 70m during the day; Up to 35m during the night with illumination
	Attributes Identification	Plate Color, Vehicle Type, Vehicle Color, Vehicle Brand, No-plate Vehicle Capture, Vehicle Direction Detection
	Smart Traffic Function	Evidence Camera Linkage, Specific Lane Management
	White/Black List	Up to 20000 records inside the camera
	LPR Smart Search	Support
<b>Interface</b>	Ethernet	1*RJ45 10M/100M Ethernet Port
	Audio I/O	1/1
	Alarm I/O	1/1 (Integrated Cable Version) 2/2 (Cable Out Version)
<b>Video</b>	Max. Image Resolution	3840x2160
	Primary Stream	60Hz: 30fps@(3840x2160, 3072x2048, 2592x1944, 2592x1520, 2048x1536, 1920x1080, 1280x960, 1280x720, 704x576) 50Hz: 25fps@(3840x2160, 3072x2048, 2592x1944, 2592x1520, 2048x1536, 1920x1080, 1280x960, 1280x720, 704x576)
	Secondary Stream	60Hz: 60fps@(704x576, 640x480, 640x360, 352x288, 320x240) 50Hz: 50fps@(704x576, 640x480, 640x360, 352x288, 320x240)
	Tertiary Stream	60Hz: 30fps@(1920x1080, 1280x720, 704x576, 640x480, 640x360, 320x240) 50Hz: 25fps@(1920x1080, 1280x720, 704x576, 640x480, 640x360, 320x240)
	Video Compression	H.265*/H.265(HEVC)/H.264*/H.264/MJPEG
	Video Bit Rate	16Kbps~16Mbps(CBR/VBR Adjustable)

# AI Road Traffic Pro Bullet Plus Camera



	Privacy Masking	Up to 8 Areas (Mask Area and Mosaic Area are optional)
	ROI	Up to 8 areas
	Image Setting	Brightness/Contrast/Saturation/Sharpness
<b>Network</b>	Network Storage	NAS(Support NFS, SMB/CIFS), ANR
	Protocol	IPv4/IPv6, ARP, TCP, UDP, RTCP, RTP, RTSP, RTMP, HTTP, HTTPS, DNS, DDNS, DHCP, FTP, NTP, SMTP, SNMP, UPnP, Bonjour, SIP, PPPoE, VLAN, 802.1x, QoS, IGMP, ICMP, SSL
<b>Audio</b>	Audio Compression	G.711/AAC/G.722/G.726
	Audio Sampling Rate	8/16/32/44.1/48KHz
	Audio Bit Rate	16~256kbps
	Two-way Audio	Support
<b>System</b>	System Compatibility	API, HTTP, TCP, ONVIF Profile G & S & T
	Storage	Support microSD/SDHC/SDXC Card Local Storage, up to 1TB
	Advanced Function	BLC, HLC, 2D DNR, 3D DNR, Defog, AWB, IP Address Filtering, AGC, Anti-flicker, Corridor Mode, Deblur, Watermark
	SIP/VoIP Support	Yes, Voice & Video-over-IP
	Event Trigger	Black/White List, Attributes Event, Motion Detection, Network Disconnection, External Input, Audio Alarm, etc.
	Event Action	FTP Upload, SMTP Upload, SD Card Record, External Output, SIP Phone, HTTP Notification, etc
<b>General</b>	Working Temperature	-40°C~60°C
	Working Humidity	5~90%(Non-condensing)
	Power Supply	PoE (802.3at) / DC 12V ± 10%
	Power Consumption	9W MAX 13W MAX (With IR on)
	Weather Proof	Up to IP67-rated for Weather-resistant Performance
	Housing	Vandal-proof IK10-rated Metal Housing
	Surge Protection	4KV
	Weight	1623g
	Dimensions	320mmX134mmX171mm
	Warranty	3/5 Years

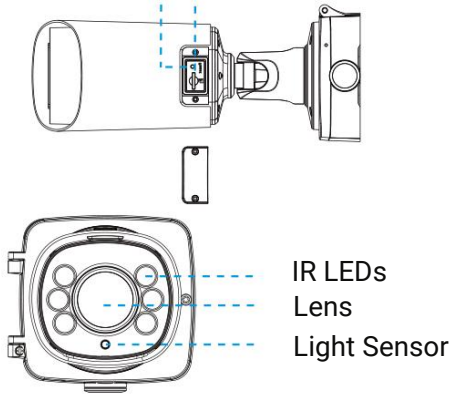
V1.3



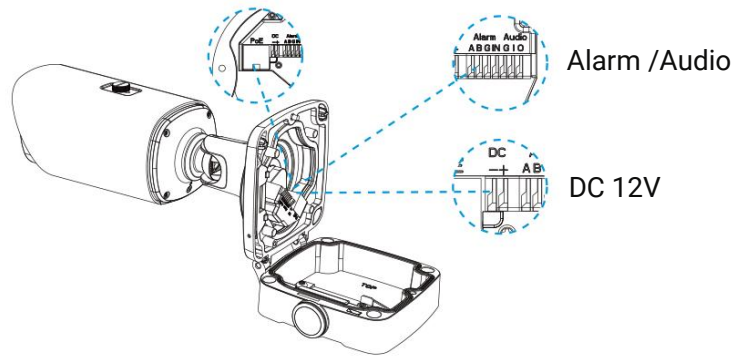
## Structure Diagrams

microSD/SDHC/SDXC Card Slot

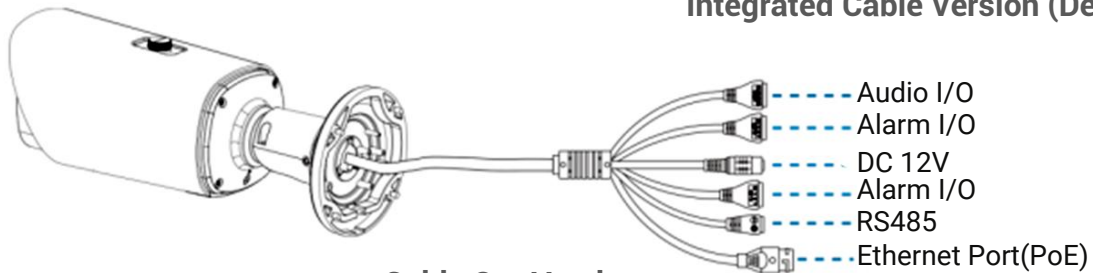
Reset



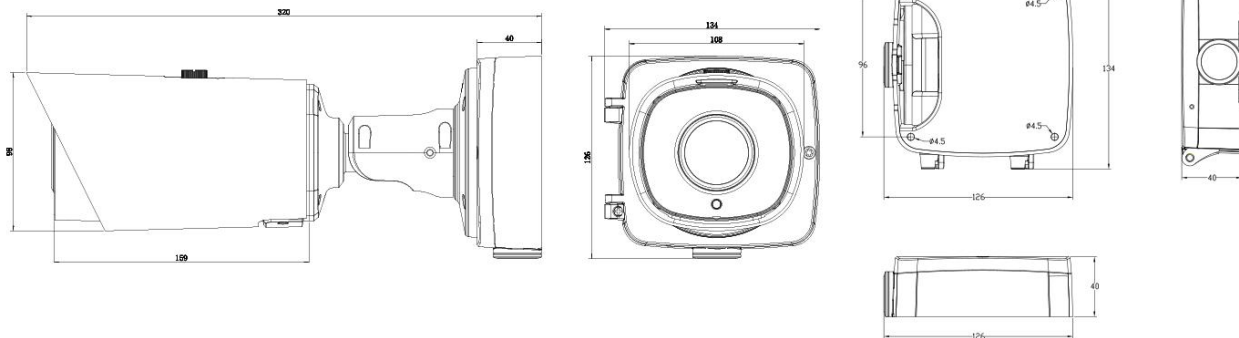
Ethernet Port(PoE)



Integrated Cable Version (Default)



Cable Out Version (Optional)



Units: mm

## Accessories Support

A62 Junction Box (Default)

Weight: 510g

Dimensions: 134\*126\*40mm



A01 Pole Mount

Weight: 720g

Dimensions: 170\*51.5\*152.6mm



A03 External Corner Bracket

Weight: 900g

Dimensions: 170\*152.5\*76.3mm

